



1x2 Triplexer WDM Coupler For FTTH



Features

- Low Insertion Loss
- High Channel Isolation
- High Stability and Reliability
- Epoxy Free Optical Path

Applications

- FTTH Application
- WDM Network System

Performance Specifications

Parameter	Standard	High Isolation
Operating Wavelength (nm)	1310+/-50, 1490+/-10, 1555+/-5	
Pass (λ_p)/Reflection Band (λ_R)(nm)	On customer request	
Pass Band Insertion Loss (dB)	≤ 0.8	≤ 0.8
Reflection Band Insertion Loss (dB)	≤ 0.5	≤ 0.8
Isolation @ λ_R (dB)	≥ 40	≥ 40
Isolation @ λ_p (dB)	≥ 15	≥ 40
Polarization Dependent Loss (dB)	≤ 0.10	
Insertion Loss Temperature Sensitivity (dB/°C)	≤ 0.003	
Wavelength Temperature Shifting (nm/°C)	≤ 0.002	
Directivity (dB)	≥ 55	
Return Loss (dB)	≥ 50	
Power Handling (mW)	300	
Operating Temperature (°C)	0 ~ +70	
Storage Temperature(°C)	-40 ~ +85	
Dimensions (mm)	$\varnothing 5.5 \times 34$ (L38 for 900um jacket)	L80xW50XH6

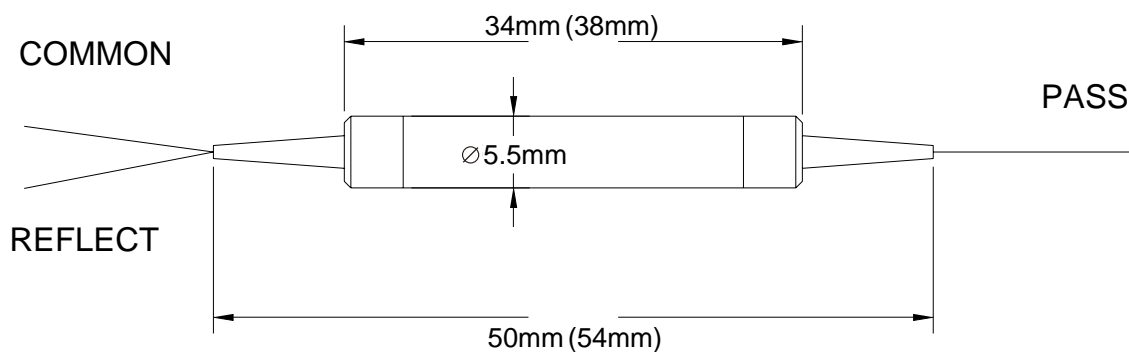
Specification may change without notice.



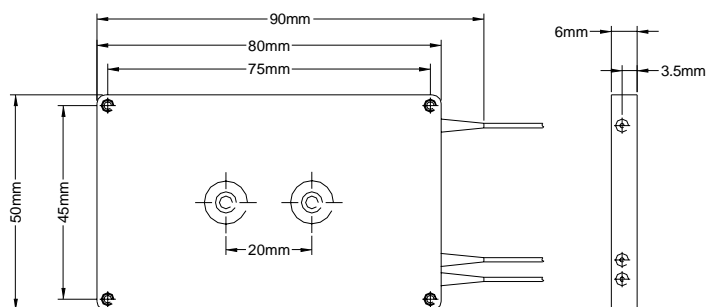
Ordering Information

MWDM	<input type="checkbox"/> <input type="checkbox"/>	FTTH	<input type="checkbox"/>	<input type="checkbox"/>	<input type="checkbox"/>	<input type="checkbox"/> <input type="checkbox"/>
	Wavelength		Option	Pigtail Style	Fiber Length	In/Out Connector
	5T=13/14 reflect, 15 pass 5R=13/14 pass, 15 reflect 4T=13/15 reflect, 14 pass		S=Standard H=High Isolation	1=Bare Fiber 2=900um Jacket	1=1m 2=2m	0=None 1=FC/APC 2=FC/PC 3=SC/APC 4=SC/PC 5=ST 6=LC

Package Dimensions



Standard



High Isolation

