



1x2 Mechanical PM Fiberoptic Switch

AC Photonics' PMS Series switch connects optical channels by redirecting an incoming optical signal into a selected output fiber. This is achieved using patent pending opto-mechanical proprietary configurations and activated via an electrical control signal. At the same time, the polarization state of the signal is preserved.



Features

- High Extinction Ratio
- Low Insertion Loss
- High Channel Isolation
- Highly Stable and Reliable
- Epoxy Free Optical Path

Applications

- Optical Signal Routing
- Network Test Systems
- Instrumentation

Performance Specifications

Parameter	Specification
Operating Wavelength (nm)	1310, 1550
Insertion Loss (dB)	≤0.8
Wavelength Dependent Loss(WDL)(dB)	≤0.15
Extinction Ratio(dB)	≥18 (typ.20)
Cross Talk (dB)	≥55
Return Loss (dB)	≥50
Repeatability(dB)	±0.02
Switching Speed(ms)	≤10(typ.4)
Drive Voltage(v)	5
Power Handling(mW)	500
Durability (Cycles)	10 million
Operating Temperature (°C)	0~ +70
Storage Temperture(°C)	-40~ +85
Fiber Type	Panda PM fiber
Dimensions (mm)	L22.3xW12.1xH10

1. The PM fiber and the connector key are aligned to the slow axis.
2. The ER is for fiber <= 0.75 meter. Increase fiber length can decrease the ER.
3. For devices with connectors, insertion loss will be 0.3dB higher, return loss will be 5dB lower, and extinction loss will be 2dB lower.

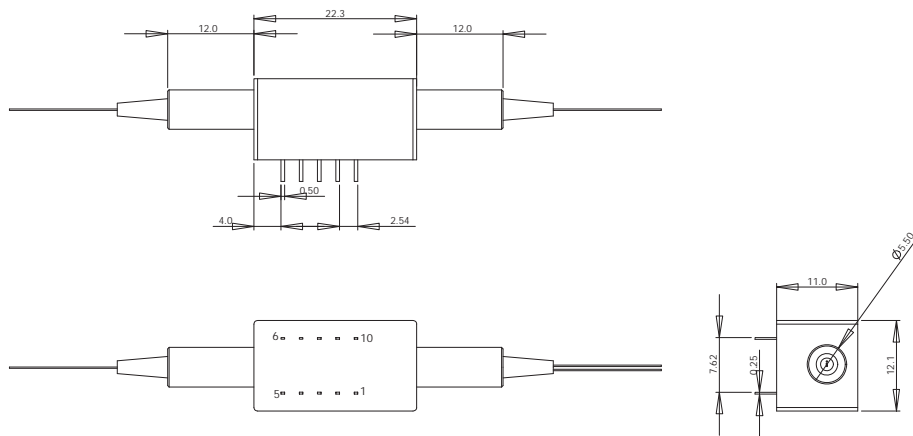
Specifications may change without notice.

Ordering Information

Option	Operating Wavelength	Port	Grade	Pigtail Style	Fiber Length	In/Out Connector
L= Latching N=Non-Latching	15=1550nm 13=1310nm	0102=1x2	P=P Grade	1=Bare Fiber 2=900um Jacket	1=0.75m 2=1.0m 3=1.5m S=Specify	0=None 1=FC/APC 2=FC/PC 3=SC/APC 4=SC/PC 5=ST 6=LC/UPC 7=LC/APC



Dimension (mm)



Electric Configuration

Optical Path		(Port1-Port2)		(Port1-Port3)	
Electric Drive	Non-Latching	Pin1	Pin10		
	Latching	Pin1	Pin 5	Pin6	Pin10
		V+	GND	GND	V+
Sensor Status	Non-Latching and Latching	Pin2-3, Pin8-9 Open		Pin2-3, Pin8-9 Close	
		Pin3-4, Pin7-8 Close		Pin3-4, Pin7-8 Open	

Parameter	Typical	Min	Max	Unit
Switch Voltage	5	4.5	5.5	V
Switch Current	>40			mA
Pulse Duration	>20			ms