



# Dual 1x2 Mechanical Single-Mode Fiberoptic Switch

AC Photonics' MS Series switch connects optical channels by redirecting an incoming optical signal into a selected output fiber. This is achieved using patent pending opto-mechanical proprietary configurations and activated via an electrical control signal. The switch offers ultra-high reliability and fast switching speed as well as bi-directional performance. The MS fiberoptic switches are true switching solutions for optical networking applications.



V Package



H Package

### Features

- Unmatched Low Cost
- Low Insertion Loss
- Latching or Non Latching
- High Channel Isolation
- High Stable and Reliable
- Epoxy-Free Optical Path

### Applications

- Optical Signal Routing
- Optical Network Protection/Restoration
- Configurable Optical Add/Drop
- Transmitter and Receiver Protection
- Network Test Systems
- Instrumentation

## Performance Specifications

Parameter	SPECIFICATION	
	Operating Wavelength (nm)	1260 ~ 1360 or 1510 ~ 1610
Insertion Loss (dB)	≤0.6(P Grade), ≤0.8(A Grade)	≤0.8(P Grade), ≤1.0(A Grade)
Wavelength Dependent Loss(WDL)(dB)	≤0.25	≤0.30
PDL (dB)	≤0.05	
Cross Talk (dB)	≥55	
Return Loss (dB)	≥55	
Repeatability(dB )	≤±0.02	
Switching Speed(ms)	4(typ.)	
Drive Voltage(v)	5	
Power Handling(mW)	500	
Durability (Cycles)	10 Million	
Operating Temperature (°C)	0~+70	
Storage Temperature(°C)	-45~+85	
Dimensions (mm)	H Package 22.3x12.1x11.0; V Package 25x12.6x8.5	

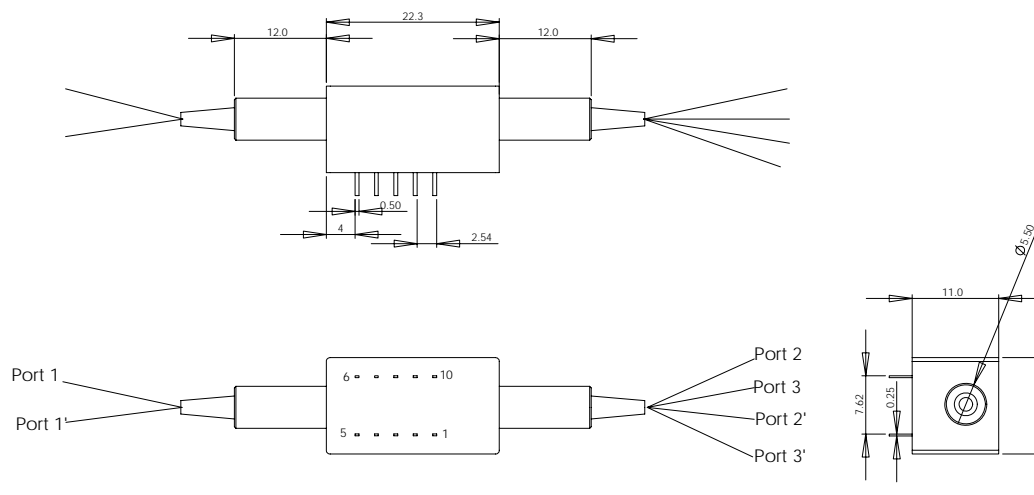
Specifications may change without notice

## Ordering Information

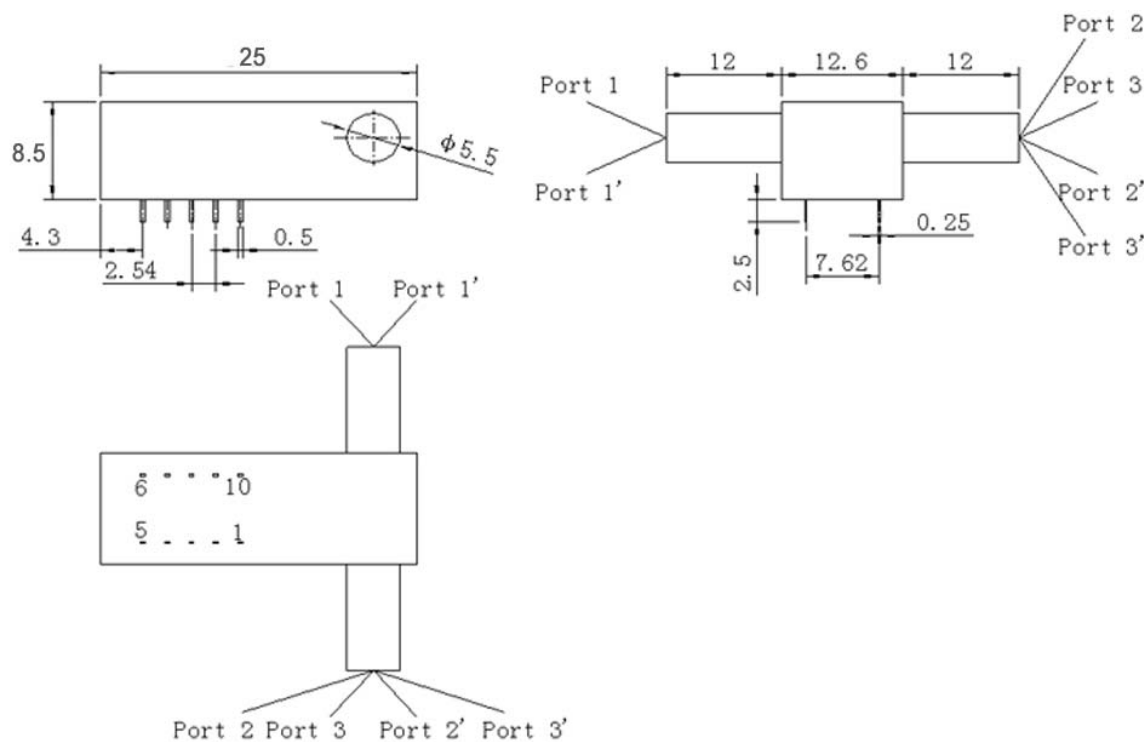
<b>2MS</b> <input type="checkbox"/>	<input type="checkbox"/>	<input type="checkbox"/>	<input type="checkbox"/>	<input type="checkbox"/>	<input type="checkbox"/>	<input type="checkbox"/>	<input type="checkbox"/>
Option	Operating Wavelength	Port	Grade	Pigtail Style	Fiber Length	In/Out Connector	Package
L=Latching N=Non Latching	15=1510~1610nm 13=1260~1360nm 35=1310/1550nm	0102=1x2	P=Pgrade A=Agrade	1=Bare Fiber 2=900um Jacket	1=1m 2=2m	0=None 1=FC/APC 2=FC/PC 3=SC/APC 4=SC/PC 5=ST 6=LC	H=H Package V=V Package



## H Package Dimension (mm)



## V Package Dimension (mm)



## Electric Configuration

OpticalPath		Port1-Port2, Port 1'-Port 2'		Port1-Port3, Port 1'-Port 3'	
Electric Drive	Non-Latching	Pin1	Pin10		
	Latching	Pin1	Pin5	Pin6	Pin10
		V+	GND	GND	V+
Sensor Status	Non-Latching and Latching	Pin2-3, Pin8-9 Open		Pin2-3, Pin8-9 Close	
		Pin3-4, Pin7-8 Close		Pin3-4, Pin7-8 Open	

Paramete	Typical	Min	Max	Unit
Switch Voltage	5	4.5	5.5	V
Switch Current	>40			mA
Pulse Duration	>20			ms

